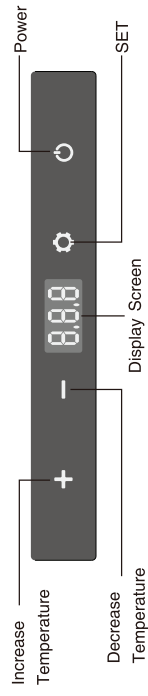


65L 12V/24V Fridge GH-1676 User Manual

Quick Guidelines



Connect with 12/24V DC power.

Press "⏻" to switch the fridge on/off.


Press "⚙️", to display "FF" (freezer zone temperature setting) or "RF" (refrigerator zone temperature setting). Press "+" or "-" to adjust the temperature of the respective zone.

Contents

1. Safety Instructions	page 1
2. Product Features	page 2
3. Product Structure	page 2
4. Operation	page 3
5. Installation	page 4
6. Removing the freezer zone to make the fridge section larger	page 6
7. Reserve door open direction	page 6
8. Cleaning and storage	page 8
9. Appliance defrosting	page 8
10. Smart control - fridge app instructions.....	page 8
11. Troubleshooting	page 10
12. Technical data	page 11

1. Safety Instructions

To prevent damage to your product or injury to yourself or to others, read the following safety precautions in their entirety before using this equipment. Keep these safety instructions where all those who use the product will read them.

 This icon marks warnings. Failure to obey these warnings could result in malfunction of your fridge and possible injury for yourself and other users.

- Do not expose your fridge to heat and direct sunlight.
- Do not place in humid places to avoid leakage or electric shock.
- Do not use other power supply except DC 12/24V.
- Do not put any electrical devices inside the fridge as they could damage the fridge.
- Do not soak the fridge in water or expose it to rain.
- Do not allow children to play with, on, or in the fridge.
- Do not use the fridge if abnormalities are noticed such as smoke, overheating, leakage etc.
- Do not let other technicians to repair the fridge. For repair return to the place of purchase with the receipt.

Notices

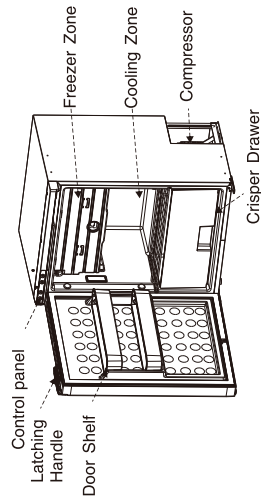
- Use a damp cloth to clean your fridge before use.
- Make sure the supply voltage is within the proper range for the socket and cable being used.
- The fridge should be unpacked and stood upright on a level surface for at least 6 hours before switching it on.

- Make sure the refrigerator stays on a level surface when it is operating. The tilt angle should be less than 5° in the long run and be less than 45° in short run (up to 30mins).
- The installation of a DC power source should be handled by qualified technician.
- Please contact the place of purchase for maintenance if the fridge malfunctions.

2. Product Features

- High efficiency DC compressor and module which is robust and durable.
- Fast cooling to 0° C (based on 25° C ambient temperature).
- Intelligent voltage detect system to protect car battery.
- CFC free and low energy consumption.
- Designed to be powered by 12V/24V DC.
- LCD display for temperature setting.
- Bluetooth APP for temperature monitor and control.

3. Product Structure



2

4. OPERATION

• How to Turn on the Fridge

1. Connect to 12/24V power
2. Press the power button
3. The internal temperature will display

• Temperature Setting

1. Press "⚙️", to display 'FR' (freezer zone temperature setting) or 'RE' (refrigerator zone temperature setting).
2. Press "+" or "-" to adjust the temperature of the respective zone.

• To Reset

1. Power off the fridge
2. Holding the setting button "⚙️" until E1 is displayed.
3. Press button "+" and "-" at the same time until the display is as below.



• Battery Protection Mode Setting

The product has a three-level battery protection function, which not only guarantees the normal operation of the product, but also protect the battery of the vehicle.

When powered on, long press settings button "⚙️" for 3 seconds and the display screen flashes H, select low voltage protection L(low), M(medium), and H(igh) by clicking settings button "⚙️".

The factory default is set to H(igh) protection.



H should be selected when the fridge is connected to the vehicle starter battery, and M or L should be selected when powering from a deep cycle battery. If error code F1 is shown on the panel it means that the fridge is in voltage protection mode, meaning the fridge will operate again once the battery is charged or the battery protection model is lowered from H to M, or M to L.

3

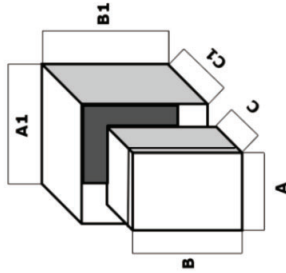
5. INSTALLATION

Ensure that the refrigerator is in good order and not damaged when opening the packaging for the first time.

Any transportation damage must be reported promptly to the place of purchase within 24 hours of taking delivery.

Handle the product with the utmost care and attention.

- When installing in a cavity/cabinet. The refrigerator dimensions are 470*430*630mm (A*C*B), there should be enough space (75mm minimal) at the rear and top of the refrigerator to ensure adequate ventilation. There should be a minimum of 7.5mm of space on each side. Cabinet dimensions suggested 485*505*705mm (A1*C1*B1).



Always place the refrigerator on a flat and level surface that is adequate to support its weight. Place the refrigerator in a location away from heat sources and ensure that it has enough ventilation.

- Connect to a power supply

Connect the refrigerator to the vehicle 12/24VDC system directly, the minimal cable cross-section as per the below table based on the overall length of wire between the refrigerator and the battery.

Enough excess wire needs be kept to allow for moving the fridge into and out of the cabinet.

Wire Length to Refrigerator	Wire Gauge
Maximum 6 m	14AWG
Maximum 11m	12AWG
Maximum 17m	10AWG

It is highly recommended that the installation fridge is carried out by a qualified person.

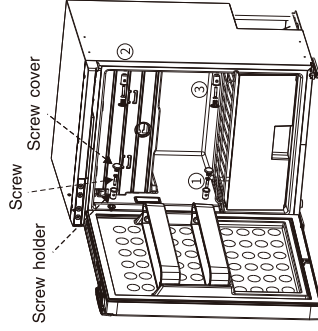
4

- Push the refrigerator into cabinet

Push the refrigerator into the cabinet carefully to avoid scratching the floor, and that the power cable is kept loose, is not kinked or damaged.

- Mount the fridge with the cabinet wall

Mounting points (holes) are built into the side wall of the refrigerator, a hole needs to be drilled into the cabinet to line up with the mounting points on the side of the fridge. Fix the fridge with screws (M5, 15mm minimum) to the cabinet walls, then use the screw covers included to hide the screws. A total 4 screws are required (not included) for installation into a cabinet.



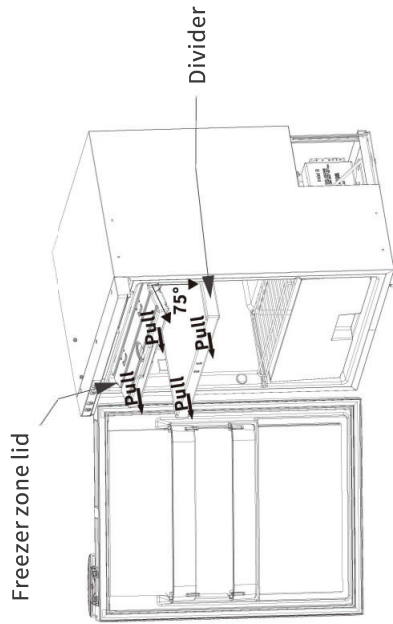
- Verify the installation

Once the installation had been finished, check the continuity of the negative circuit and carry out all electrical safety testing provided for by current regulations. Protect and fix the cables in order to prevent accidental pulling of the cable and from it disconnecting from any connections or the power source and ensure it doesn't come into contact with heat sources with a temperature of 50°C or more, or with sharp objects.

5

6. Removing the freezer zone to make the fridge section larger

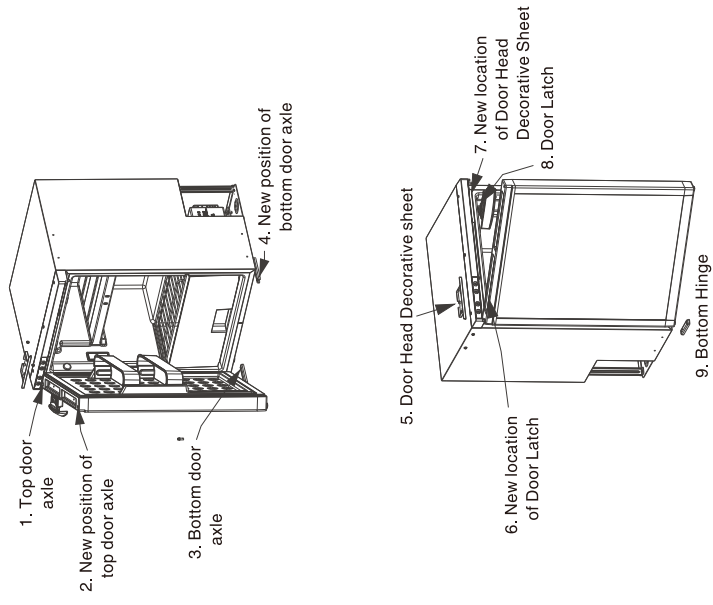
1. Open the freezer zone lid and make a 75° angle between it and the right border of the fridge.
2. Pull out the freezer zone lid horizontally.
3. Pull out the divider horizontally.



7. RESERVE DOOR OPEN DIRECTION

1. Unscrew the bottom hinge ⑤
2. Take off the door body (keep the fridge stable)
3. Unscrew and take off the door latch ⑥, install it into the new location of door latch ⑥
4. Remove the door head decorative sheet ⑤, install it into new location of the door head decorative sheet ⑦
5. Move the top door axle ① and bottom door axle ③ to new position ②④
6. Install the door to the refrigerator, fasten the top door axle with the top hinge; install the bottom hinge screws ④, fix the door with the hinge;
7. Close the door, the door opening direction is now reversed.

6



7

8. CLEANING AND STORAGE

■ Cleaning the refrigerator

Before cleaning, ensure that the refrigerator is not connected to the power supply. If necessary, extract the plug from the power socket.

EXTERIOR

Clean exterior first with warm and then with cold water. Dry with a soft cloth. Avoid all use of abrasive products.

INTERIOR

Remove the racks (or basket), containers, and ice trays, and clean the interior using warm water mixed with a little bicarbonate of soda or vinegar. Rinse and dry carefully with a soft cloth. Never use abrasive products, detergents or soap.

CONDENSER

The condenser should be cleaned at least once a year using a vacuum cleaner or a dry brush.

In the case of prolonged disuse, to avoid the formation of mould or unpleasant odours, disconnect the plug from the socket, empty the unit completely, clean the interior, and leave the door ajar.

■ If the fridge will not be used for a long period of time.

1. Turn off the power and disconnect the plug
2. Remove all fridge contents
3. Clean the fridge with a damp cloth
4. Ensure the fridge is dry
5. Store the fridge in a cool and dry place with the door ajar

9. APPLIANCE DEFROSTING

It will be necessary to defrost the refrigerator every so often when frost builds up to a thickness of more than three millimeters.

This operation is necessary in order to guarantee that the fridge works efficiently and to avoid increased electricity consumption.

In order to achieve complete defrosting of the refrigerator turn off the fridge. Keep the door open so that the defrosting time is quicker.

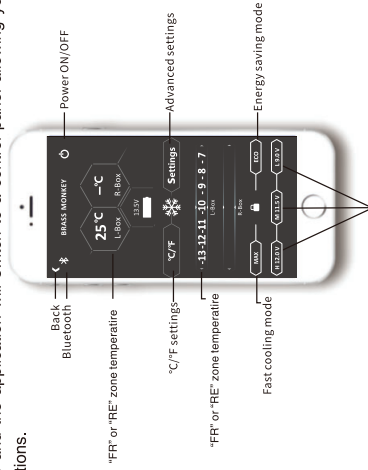
IMPORTANT: Do not use mechanical devices or other means other than those recommended by the manufacturer to accelerate the defrosting process.

IMPORTANT: DO NOT REMOVE THE LAYER OF FROST USING POINTED OR SHARP OR ANY TOOLS THAT MAY CAUSE A PUNCTURE IN THE COOLING PLATE WHICH WILL CAUSE IRREPARABLE DAMAGE TO THE FRIDGE.

10. SMART CONTROL - FRIDGE APP INSTRUCTIONS

Downloading the "BRASS MONKEY" Application

- Using a pre-installed QR reader on your handheld smart device scan the QR code in the manual or on the carton, or search for the "BRASS MONKEY" APP in the iTunes App Store (for Apple devices) or Google store (Android Devices)
- Start the application and select the "Search" function.
- The application will prompt you to pair the fridge by pressing the "set button" on the fridge's control panel. Once "set button" has been activated, the fridge will be paired with your smart device and the application will switch to a control panel allowing you to control the fridge's functions.



Battery protection settings

Note: If the temperature setting rang on the app is : 0-8°C, the temperature displayed is of the "RE" zone; If the temperature setting rang on the app is : -12--20°C, the temperature displayed is of the "FR" zone.

Please scan the QR code to download APP

QR Code for Apple Devices

QR Code for Android Devices



11. TROUBLESHOOTING

- The product is not working:
 - Check the power supply is working
 - Check if the plug and socket are connected
 - Check the fuse
 - Check power switch on control panel is on
- Compressor starts delay protection for 3 minutes after turning on
- Food inside the product is frozen:
 - Temperature is set too low
 - Water flowing sound inside the tank:
 - Refrigerant is flowing, this is normal
 - Water drops around the case or door gap:
 - When moisture in the air meets the lower temperature case, it will naturally become liquefied and condensed. Wipe away with a towel or soft cloth
- Code F1 displayed:
 - Low voltage protection, which can be solved by setting the battery protection button from H to M or from M to L
- Code F2 displayed:
 - Fan overload protection. Please turn off the product and restart it after 30 minutes. If the code displays again, please contact the place of purchase
- Code F3 displayed:
 - Compressor frequent start protection. Please turn off the product and restart it after 30 minutes. If the code displays again, please contact the place of purchase
- Code F4 displayed:
 - Compressor is overloaded or working at a low speed. Please turn off the product and restart it after 30 minutes. If the code displays again, please contact the place of purchase
- Code F5 displayed:
 - High temperature compressor module protection. Please move the product to a ventilated area and turn it off for 30 minutes then restart it. If the code displays again, please contact the place of purchase
- Code F6 displayed:
 - No parameter can be detected by the controller. Please restart the product. If the code displays again, please contact the place of purchase
- Code F7 / FS displayed:
 - Temperature sensor error protection. Please check the sensor terminal

During the warranty period the following are excluded from coverage:

- Intentional damage
- Damage by fire, flood, etc
- Damage or malfunction caused by incorrect usage and not following this user manual
- Damage or malfunction caused by disassembling

12. TECHNICAL DATA

Mode	GH-1676
Rated Voltage	DC 12/24V
Power Consumption	60W
Capacity	65L
Noise Emission	≤45dB
Temperature Range	0-8°C(RE)/ -12--20°C(FR)
Climate Class	T/STN/SB
Dimensions(W*H*D)	430*630*470 mm
weight	20kg

* Due to product improvement, the technical data might be different from actual data, please refer to the rating label on the product.